

DUAL BAND 2.4/5GHz DIPOLE ANTENNA 5dBi+with 150mm 1.37 cable ipex DA-DB-05IPEX-150-02

APPLICATIONS AND FEATURES

Applications:

- 2.4GHz-2.5GHz / 5.15~5.85GHz ISM Band
- IEEE 802.11a/b/g/n Wireless LAN
- 802.16WiMax Networks
- Public Wireless Hotspot
- Bluetooth 、 Wi-Fi 、 RFID
- Wireless Video Systems
- Directional and multipoint application

Features :

- Superior Performance
- Made with weatherproof and corrosion resistant
- Good appearance design
- Installed for vertical or horizontal polarization
- Outdoor antenna for public Hot spots
- Heavy Duty mounting
- RoHS Compliant



SPECIFICATIONS:

Electrical Specifications

Frequency Range	2400~2500 MHz 5150~5850 MHz
V.S.W.R	≤2.0:1
Antenna Type	Dipole Sleeve
Gain	5.0± 0.5dBi
Polarization	Linear
Horizontal Beam-with	360°
Impedance	50Ω
Connector	IPEX
Coaxial Cable	150mm 1.37 cable

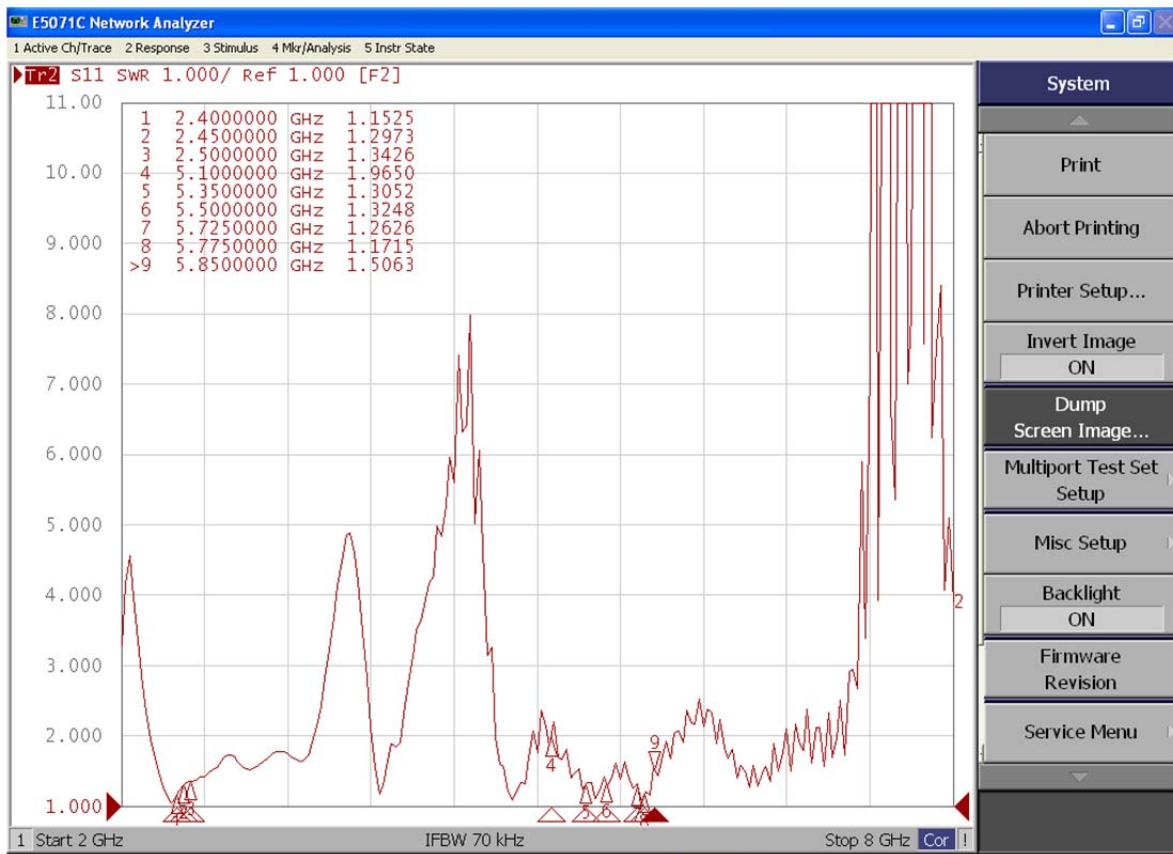
Mechanical Specifications

Dimension	191mm
Weight	20g
Housing	TPEE
Hinge	ABS
Color	Black
Operating Temperature	-20℃ to +70 ℃
Storage Temperature	-20℃ to +70 ℃

Test Item	Procedure	Requirement
Visual inspection and Dimension Check	Applicable methods using x5 magnification	follow specification
Rapid Changing of Temperature	-40°C (30minutes) to 90°C (30minutes); 24 cycles	After 2 hours recovery: 1. no visible damage 2. Freq. Tol.: < ±5%
Damp Heat	24 hours at 60°C; 90 ~ 95% RH	After 2 hours recovery: 1.no visible damage 2. Freq. Tol. : < ±5%
Endurance	24 hours at 90°C	After 2 hours recovery: 1. no visible damage 2. Freq Tol.: < ±5%

TESTING REPORT

VSWR



Hwayaotek

No.3, Aly. 2, Ln. 279, Zhongzheng Rd.,
Yongkang Dist., Tainan City 710, Taiwan
(R.O.C.)

TEL: +886-6-2020062
FAX: +886-6-2013882
<http://www.hwayaotek.com.tw>
Email: sales@hwayaotek.com.tw

All creative content and details belonging to HYT's confidential, and the owner, without consent, Do not posted, theft, copied and sent to a third party.

Antenna Gain

Frequency	Gain
2.400GHz	6.0 dBi
2.450 GHz	6.0 dBi
2.500 GHz	5.9 dBi
5.150 GHz	4.5 dBi
5.350 GHz	5.1 dBi
5.825 GHz	4.9 dBi

Frequency	HPBW H-Plane	HPBW E-Plane
2.4 GHz	360.0 deg	30.6 deg
2.45 GHz	360.0 deg	35.2 deg
2.5 GHz	360.0 deg	35.3 deg
5.15 GHz	360.0 deg	26.5 deg
5.35 GHz	360.0 deg	26.7 deg
5.825 GHz	360.0 deg	43.2 deg

HwayaOTEK

No.3, Aly. 2, Ln. 279, Zhongzheng Rd.,
Yongkang Dist., Tainan City 710, Taiwan
(R.O.C.)

TEL: +886-6-2020062
FAX: +886-6-2013882
<http://www.hwayaotek.com.tw>
Email: sales@hwayaotek.com.tw

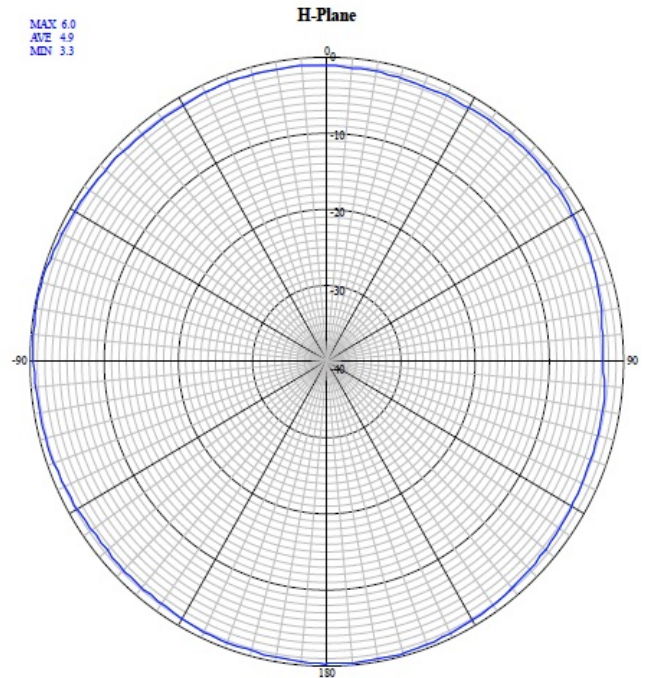
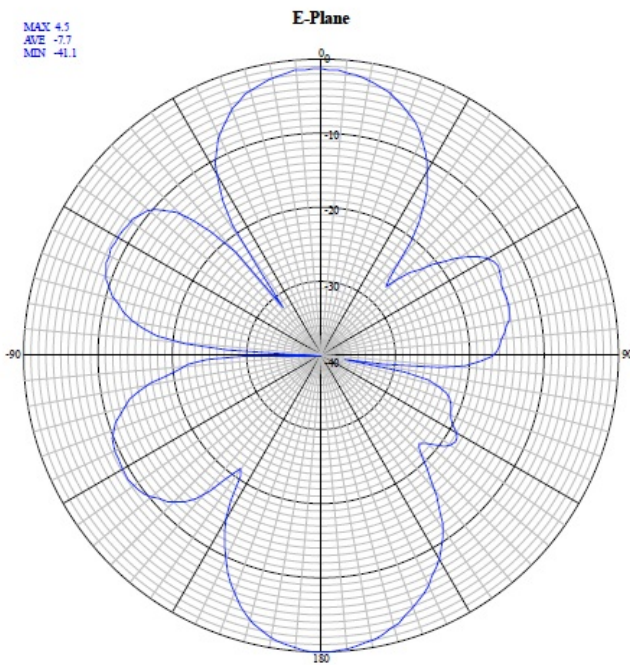
All creative content and details belonging to HYT's confidential, and the owner, without consent, Do not posted, theft, copied and sent to a third party.

Antenna Vertical & Horizontal Pattern

2.4GHz

Vertical

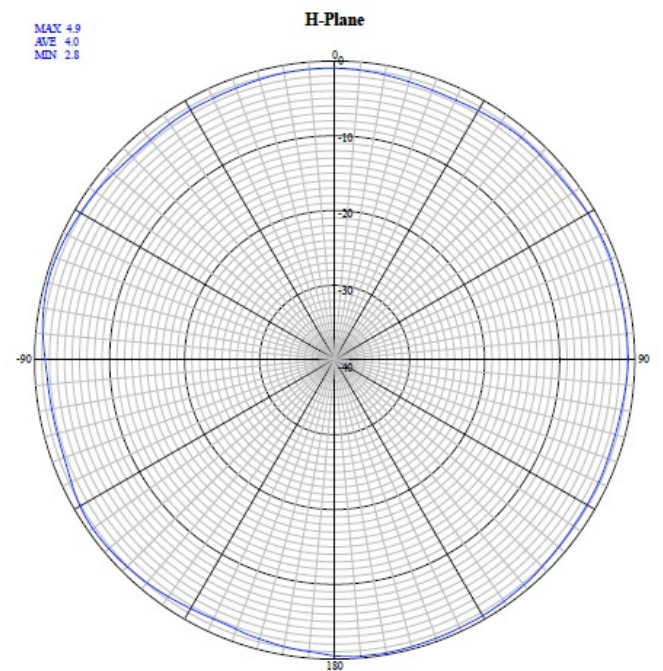
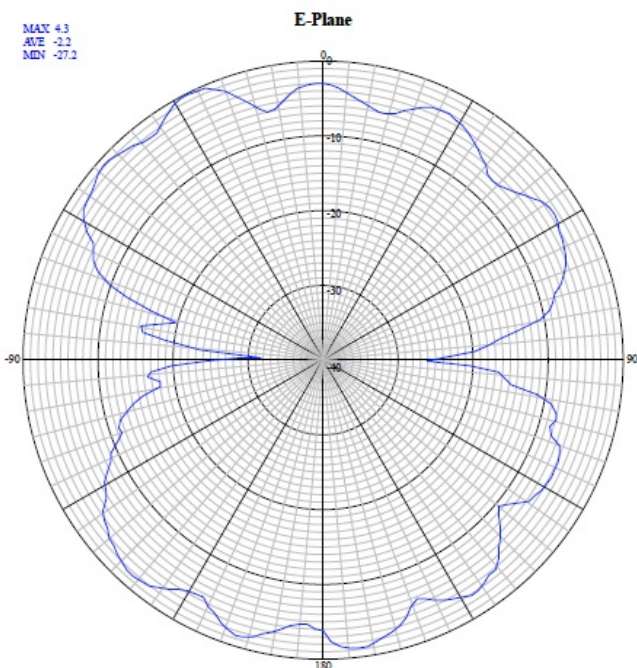
Horizontal



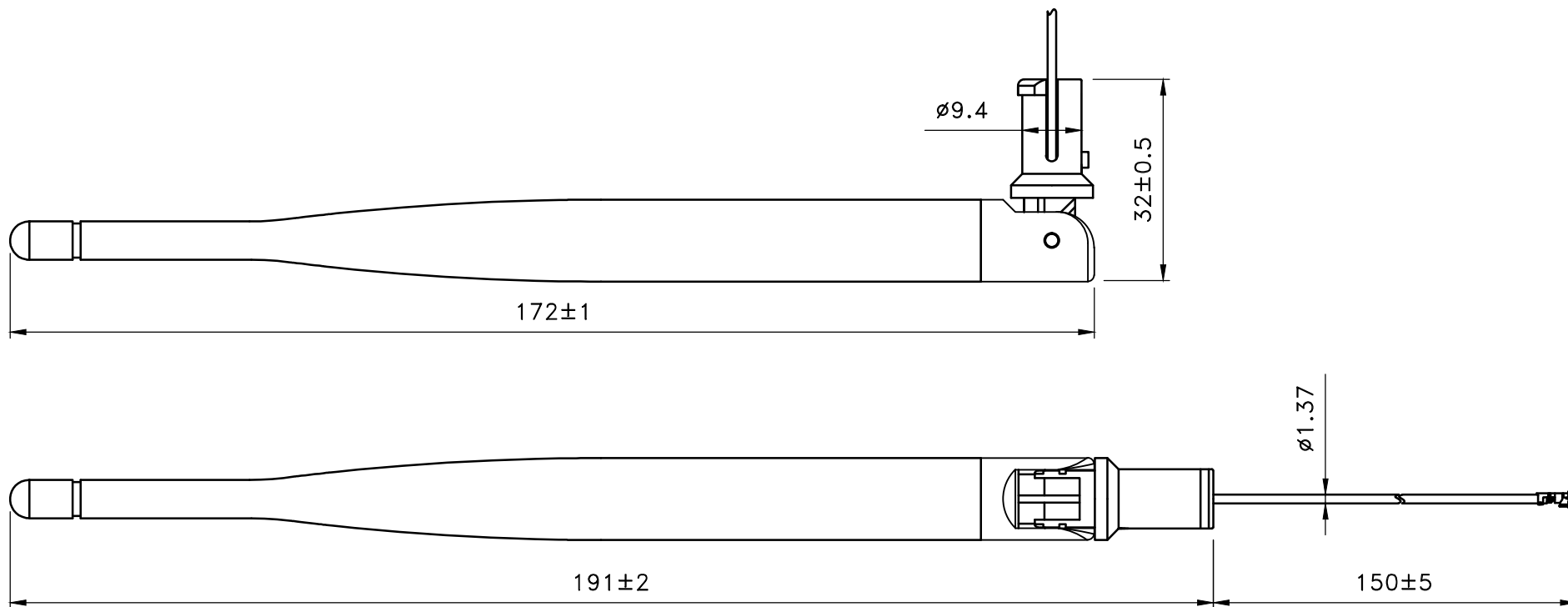
5.8GHz

Vertical

Horizontal



REV	DATE	DESCRIPTION	DRAWN
△			



Prohibit re-circulating



華耀科技有限公司
Hwa Yao Technologies co.,Ltd

TITLE
2.4/5GHz Dipole Antenna 5dBi

DRAWING NO.
DA-DB-05IPEX-150-02

APPROVED
DRAWN DATE
01/07/15

CHECKED
SCALE
1:1

DRAWN
ALICE
UNIT
mm

3	1.37 CABLE	ASSY	BLACK	1
2	IPEX	BRASS	GOLD	1
1	BODY	TPEE	BLACK	1
NO	DESCRIPTION	MATERIAL	FINISH	Q'ty

NOTE	DIMENSION
1. STRIP ALL BURRS.	UNLESS OTHERWISE NOTED TOLERANCES X=±0.3 0.X=±0.2 0.XX=±0.1
2. ALL DIMENSIONS ARE AFTER PLATING.	
3. DIAMETERS ON COMMON CENTERS.	
4. CHAMFER 1ST & LAST THREADS 45°.	
5. BREAK ALL CONNERS & EDGES CO.15 MAX.	

All creative content and details belonging to HYT's confidential, and the owner, without consent, Do not posted, theft, copied and sent to a third party.